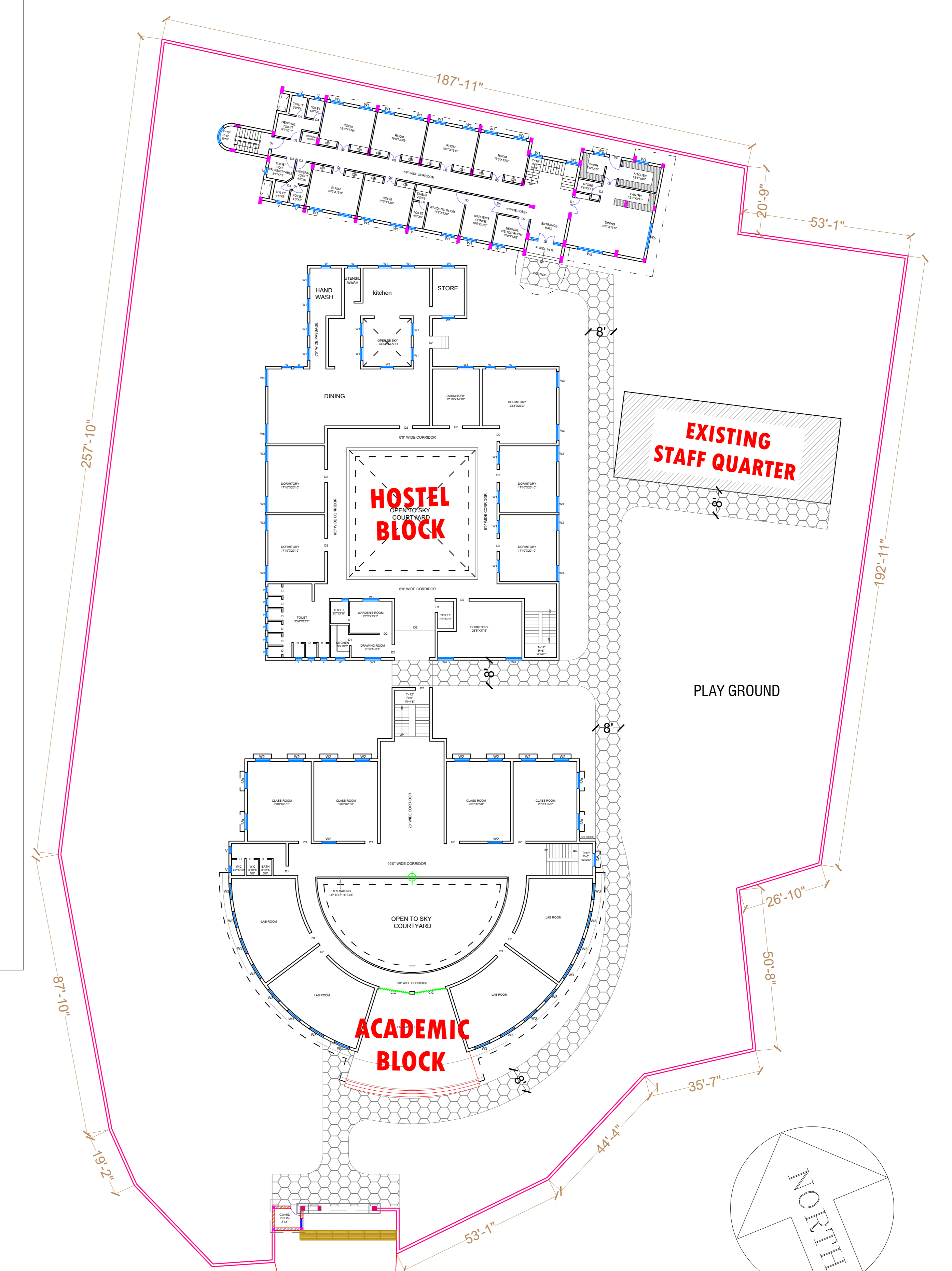
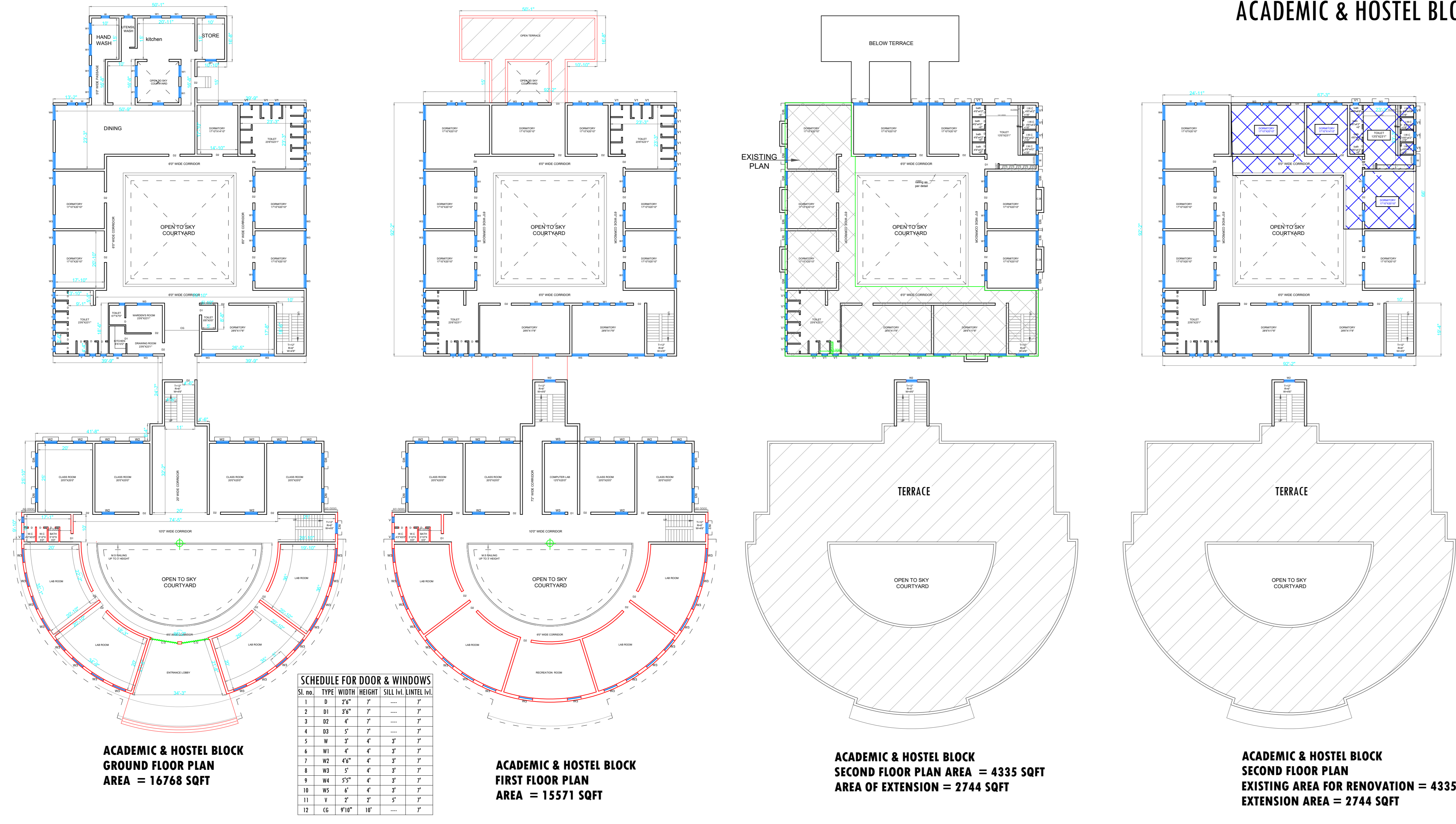
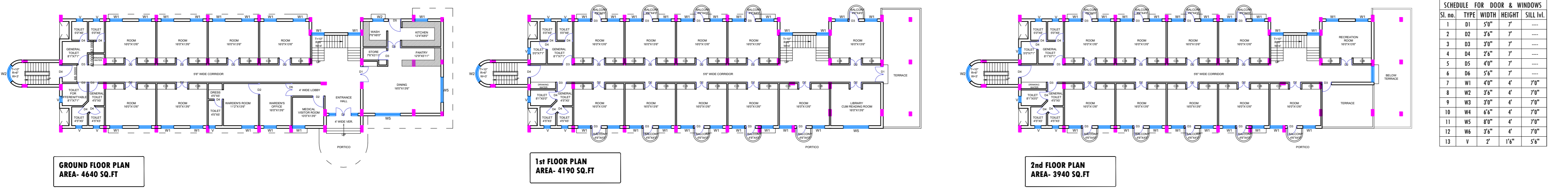


ACADEMIC & HOSTEL BLOCK

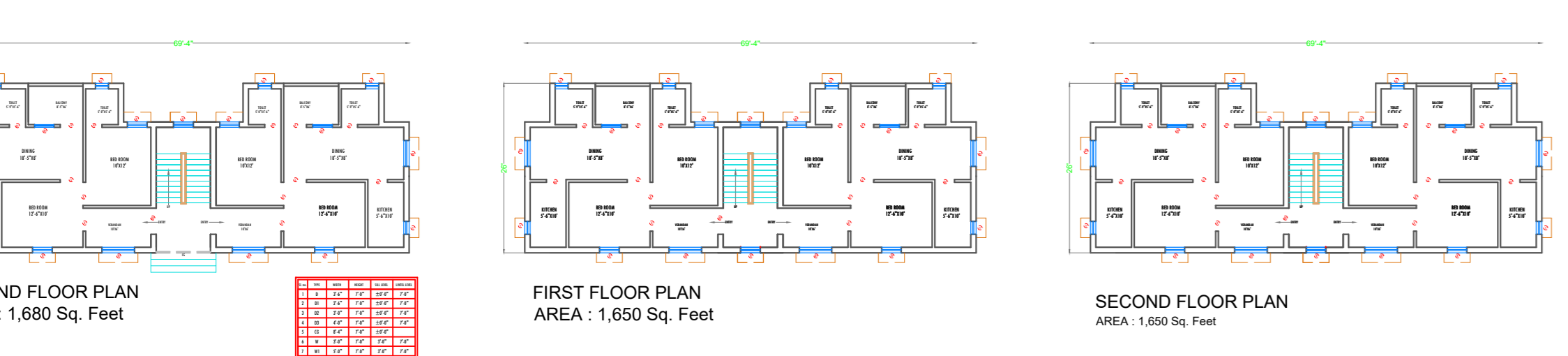


SITE PLAN

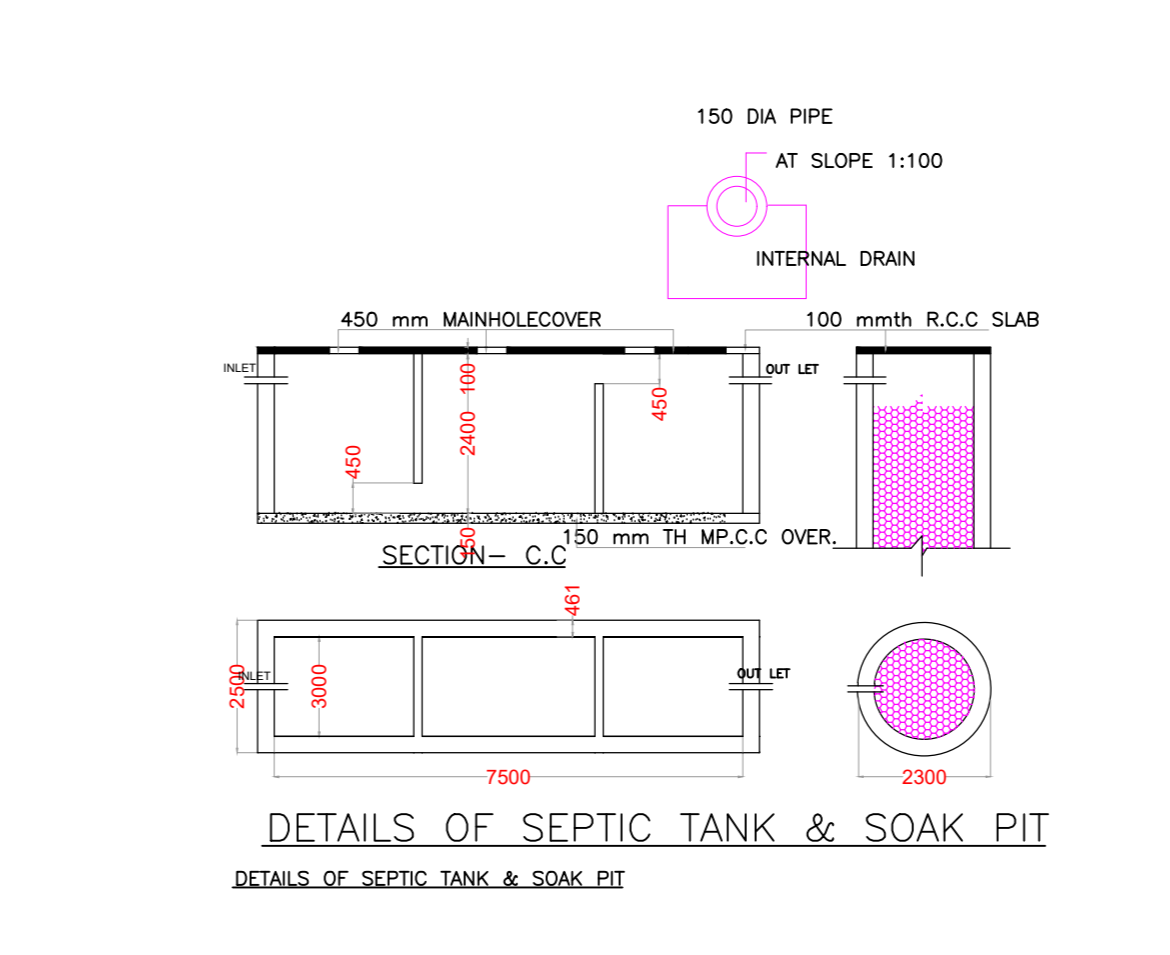
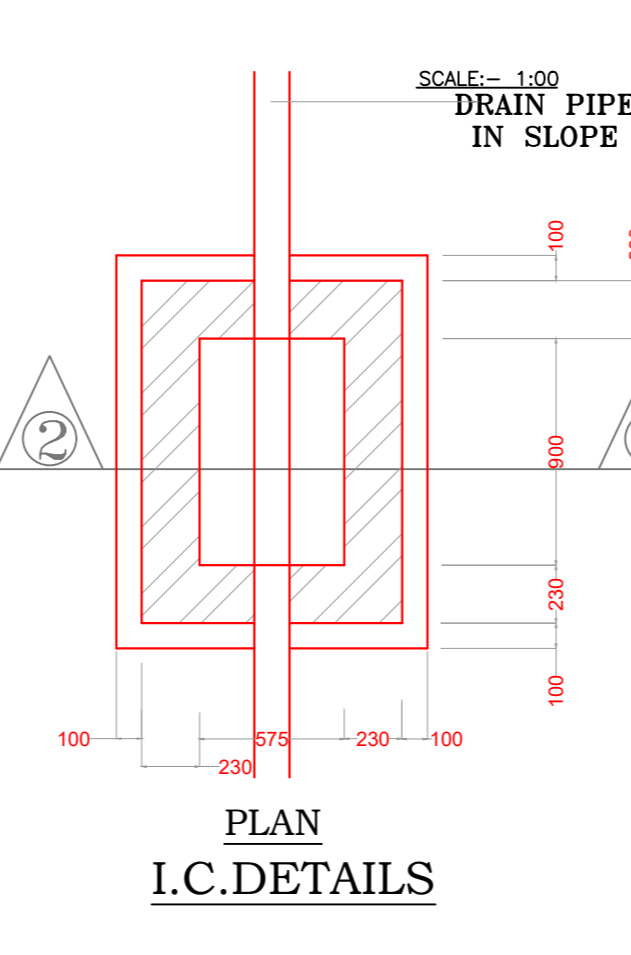
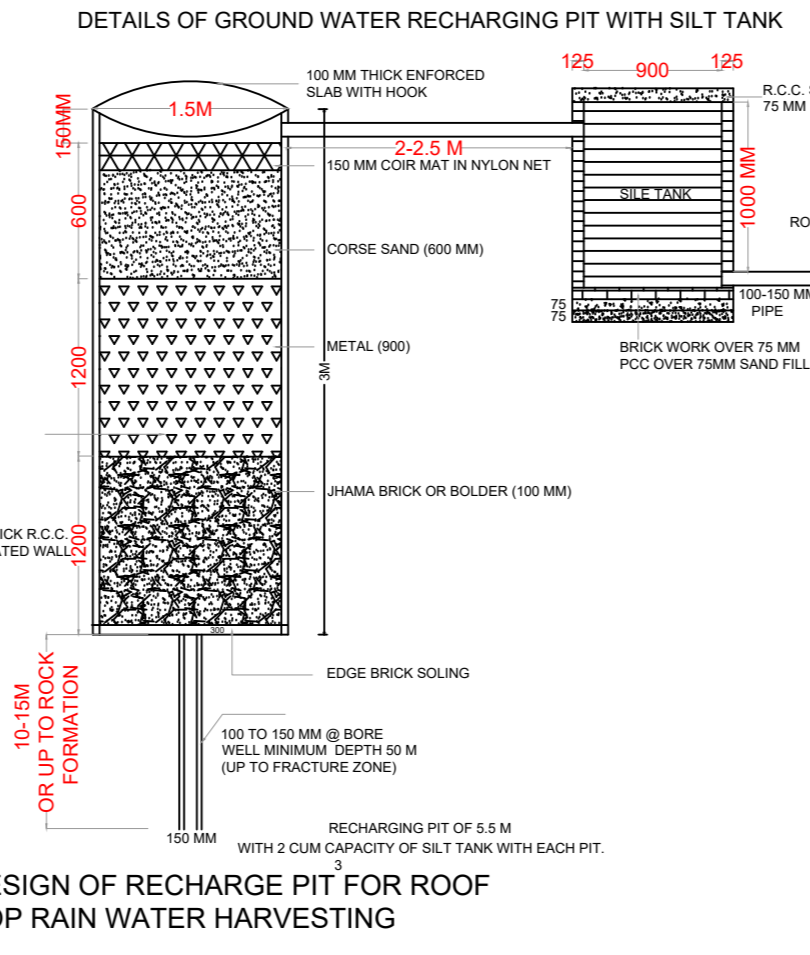
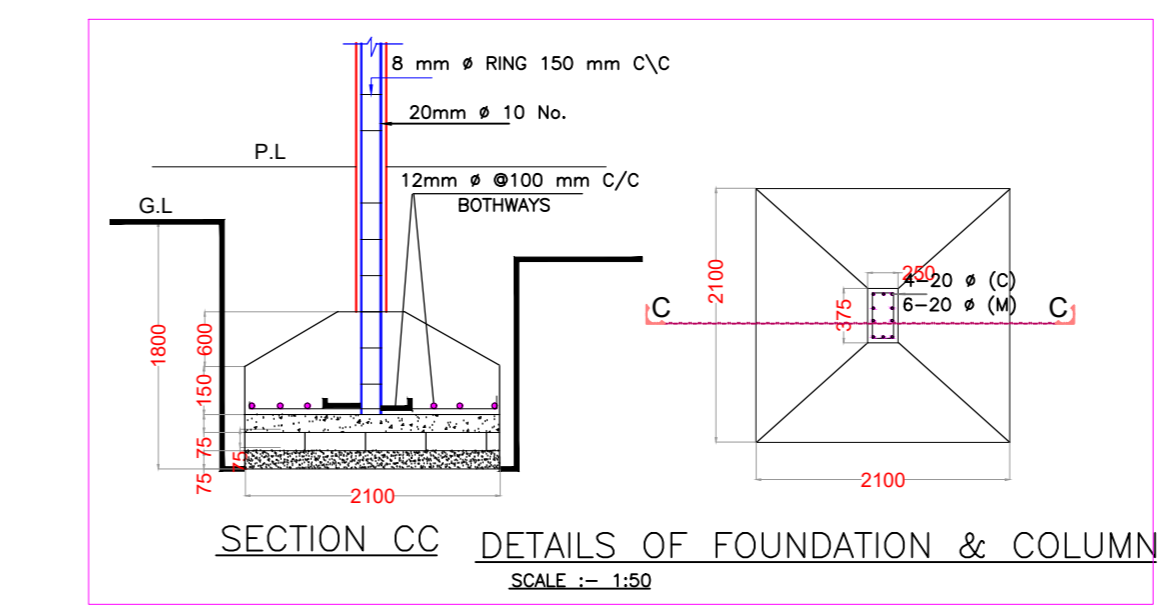
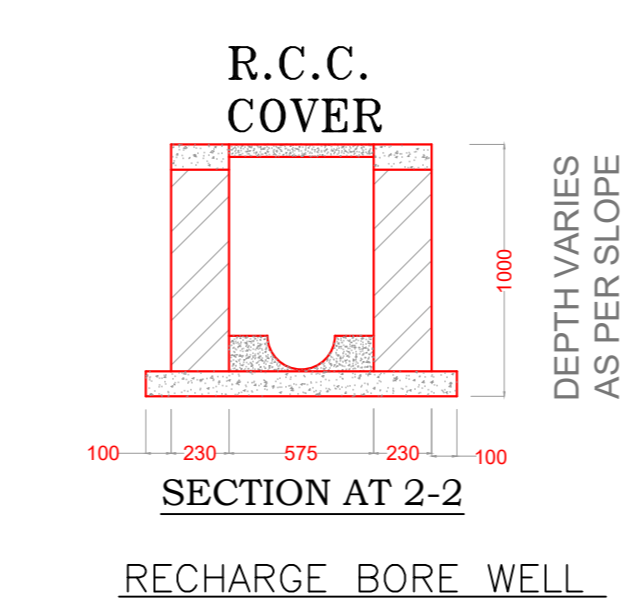
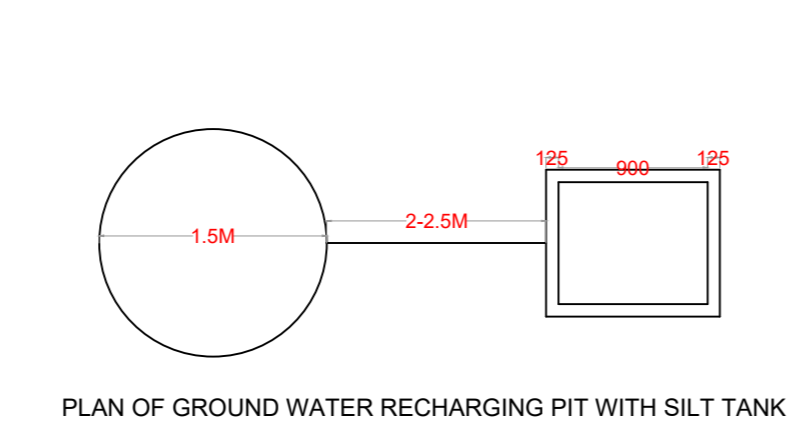
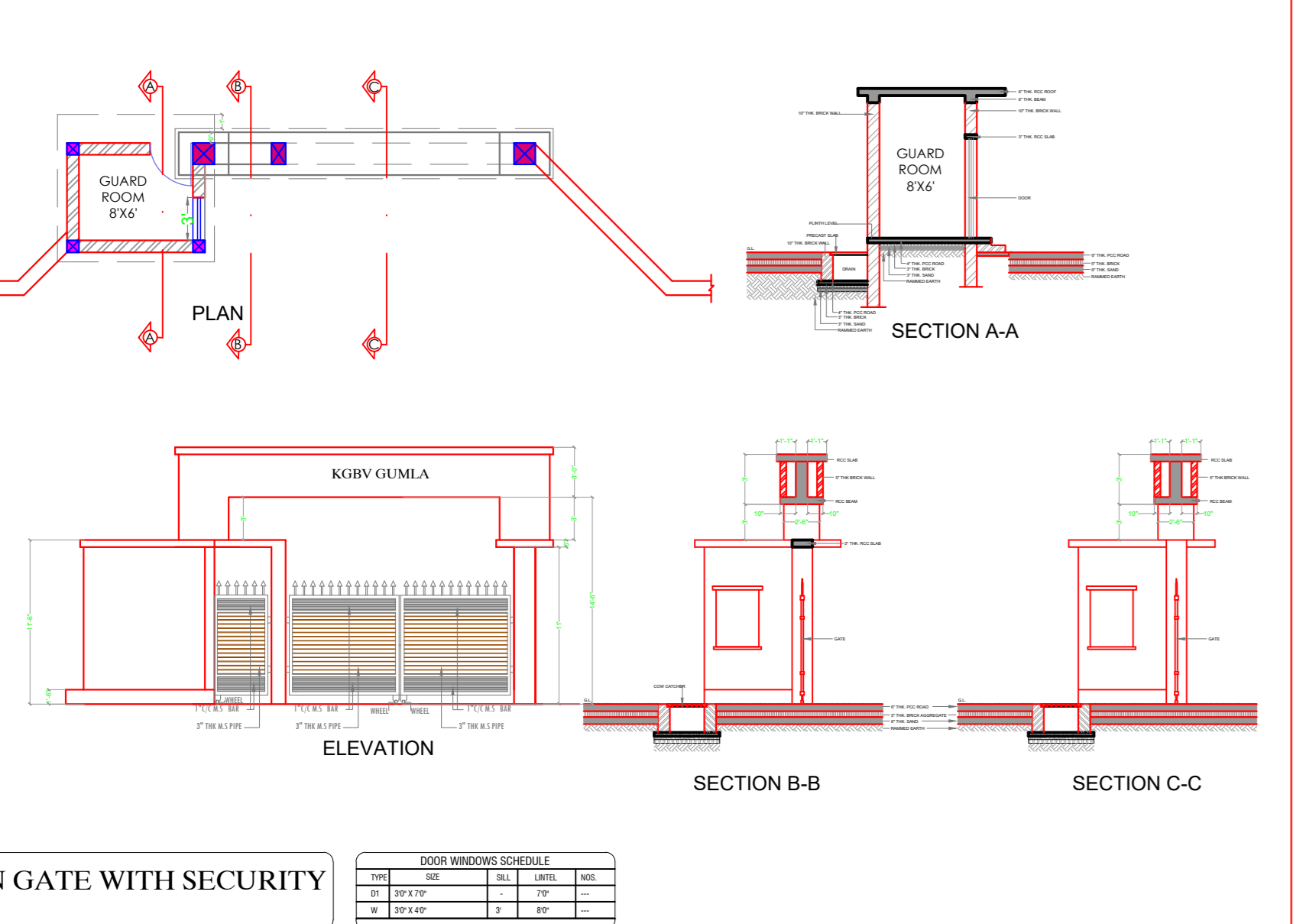
EXISTING 100 BEDDED HOSTEL



EXISTING STAFF QUARTER



MAIN GATE



CLIENT : **JEPC**

PROJ. TITLE : **KGBV GUMLA.**

AT MAUJA - KHATA NO.- WARD NO.- JHARKHAND.

PLOT NO.- THANA NO.- DIST- GUMLA.

AREA CALCULATION

PLOT AREA = 78510 SQ.FT (1.7 ACRES)

TOTAL BUILT UP AREA OF EXTENSION ACADEMIC & HOSTEL BLOCK AREA- 46497 SQ.FT

TOTAL BUILT UP AREA OF EXISTING 100 BEDDED HOSTEL AREA- 12770 SQ.FT

TOTAL BUILT UP AREA OF EXISTING STAFF QUARTER AREA- 4980 SQ.FT

TOTAL BUILT UP MAIN GATE AREA- 197 SQ.FT

TOTAL BUILT UP AREA- 64444 SQ.FT

The Creators

PRAGATI NIWAS (1st FLOOR) PRAGATI ENCLAVE (OPP. TRINITY APARTMENT) BYE PASS ROAD, DIBADH, DORANDA, RAJNAGAR, JHARKHAND - 834002. Ph. +91 92 3467246. Email: anurach@pragati.com